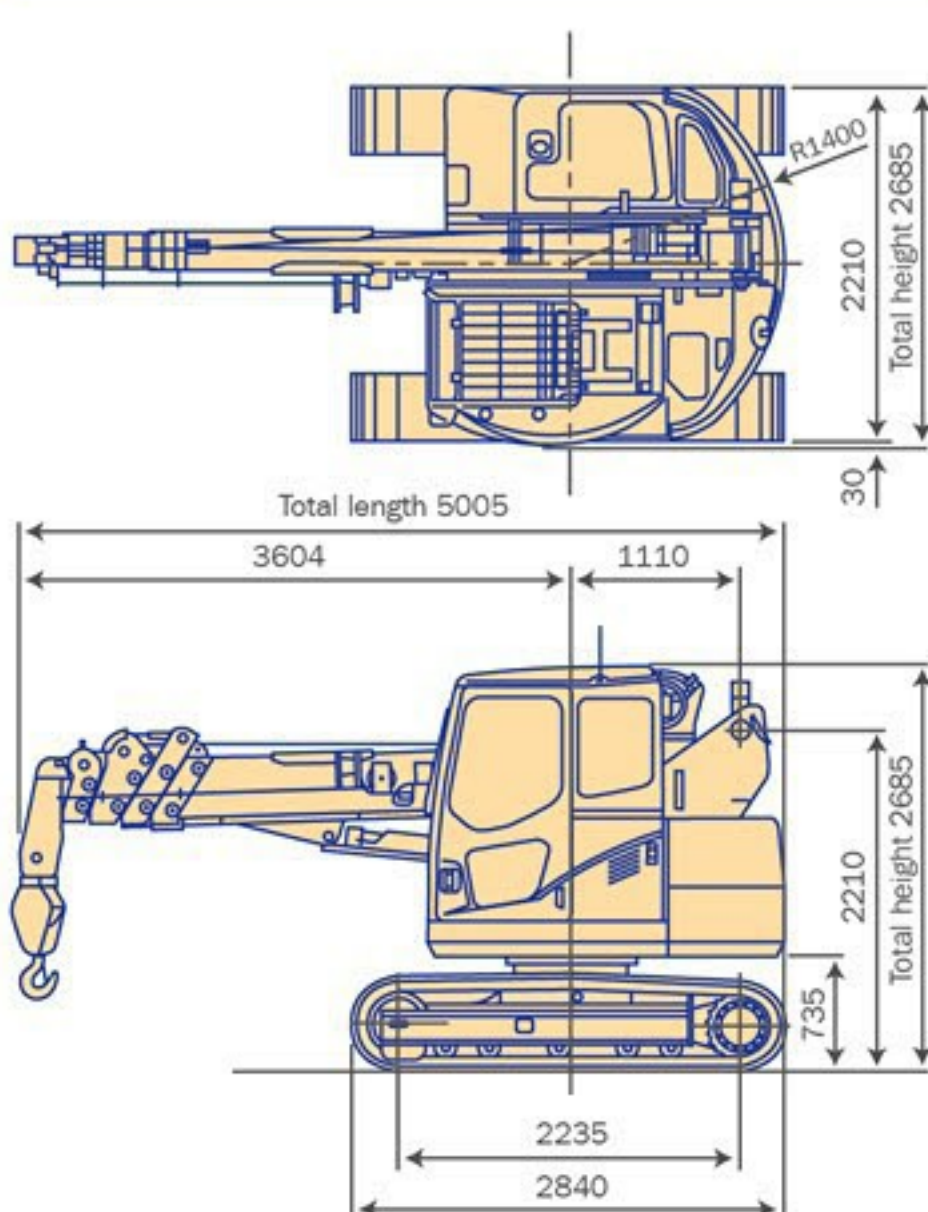


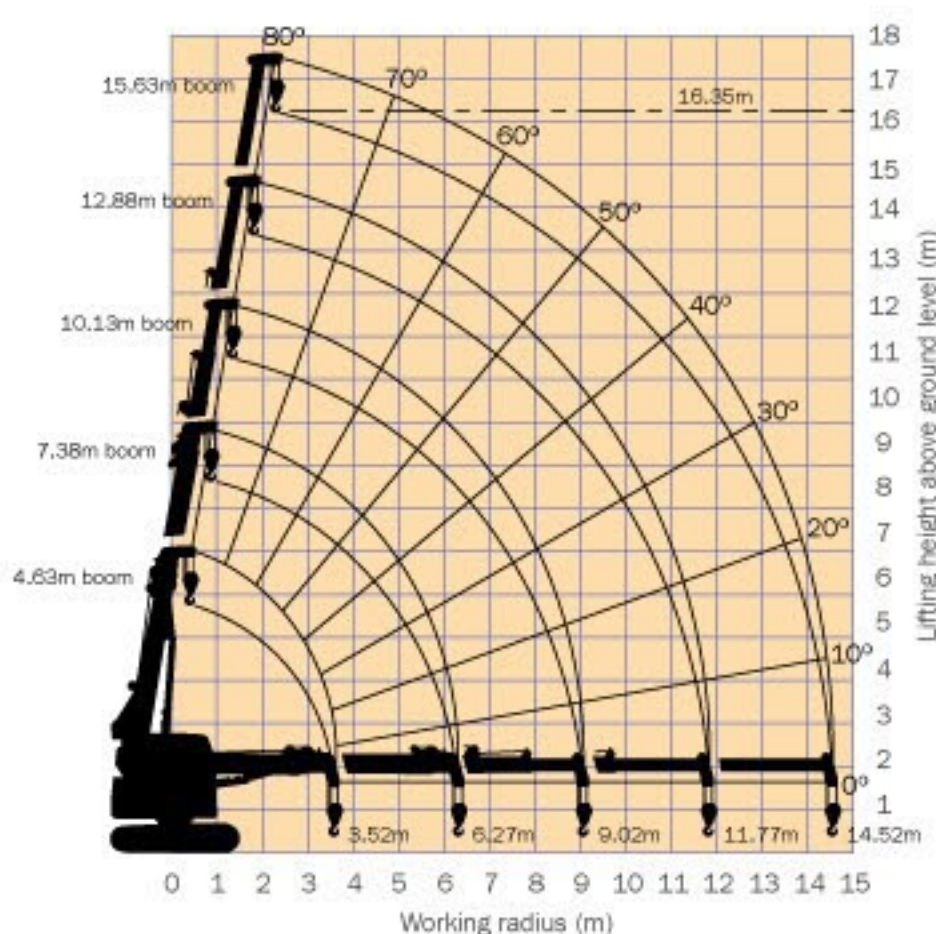
Maeda LC-785 Technical specifications

Specification	
Model	LC-785C
Crane capacity	4.9 t x 2.1m
Max. working radius	14.52m
Max. lifting height	Approx 16.35m
Hook speed	Two speed 27 / 39 m/min (4 falls)
Single line speed	Two speed 108 / 156 m/min (4th layer)
Wire rope	MVRC 6 x Fi(29) φ 10mm x 115m
Telescopic system:	
Boom length	4.63 m – 15.63 m
Telescopic speed	11 m / 24.5 sec.
Boom type	Fully automatic 5 section pentagonal telescopic boom
Derricking angle / time	- 2° to 80° (12.5 sec.)
Slewing angle / time	360° continuous / 2.4 rpm
Drive:	
Both sides independent steering control Hydraulic piston motor with in-built automatic brake Planet reduction gears Sprocket crawler	
Travel speed:	
Travel speed – low	0 – 2.5 km/h
Travel speed - high	0 – 3.8 km/h
Gradeability	20°
Crawler ground length	1,870 mm
Ground pressure	
Crawler width	0.43 kg / cm ² 450 mm
Engine:	
Type	Komatsu S4D95LE-3-A 4 cylinder diesel, water cooled, direct injection
Max output	40.5 Kw / 1850
Fuel	Diesel
Fuel tank capacity	137 L
Dimensions:	
Length x Width x Height	5,005 mm x 2,350 mm x 2,685 mm
Weight	9,700 kg
Standard equipment:	
Safe load indicator Steel tracks 4-fall hook block Working light Hour-meter Inclination alarm	
Optional equipment:	
Single fall hook Rubber pads	

Technical Drawing



Working range chart



Due to improvements, the specifications are subject to change without notice.

Key: WR: Working radius TRL: Total rated load

Total rated load (Outriggers at maximum position)

4.63 boom		7.38 boom		10.13 boom		12.88 boom		15.63 boom	
WR (m)	TRL (kg)	WR (m)	TRL (kg)	WR (m)	TRL (kg)	WR (m)	TRL (kg)	WR (m)	TRL (kg)
2.0	4900	2.0	4900	2.0	2600	2.0	2000	2.0	
2.5	3800	2.5	3760	2.5	2600	2.5	2000	2.5	1400
3.0	2900	3.0	2980	3.0	2310	3.0	2000	3.0	1400
3.5		3.5	2420	3.5	2010	3.5	1890	3.5	1400
4.0		4.0	2000	4.0	1750	4.0	1650	4.0	1400
4.5		4.5	1670	4.5	1530	4.5	1450	4.5	1320
5.0		5.0	1400	5.0	1340	5.0	1280	5.0	1200
6.0		6.0	1000	6.0	1030	6.0	1010	6.0	990
7.0		7.0		7.0	780	7.0	800	7.0	820
8.0		8.0		8.0	580	8.0	530	8.0	680
9.0		9.0		9.0	410	9.0	500	9.0	560
10.0		10.0		10.0		10.0	390	10.0	450
11.0		11.0		11.0		11.0	300	11.0	360
12.0		12.0		12.0		12.0		12.0	280
13.0		13.0		13.0		13.0		13.0	210
14.0		14.0		14.0		14.0		14.0	200
14.52		14.52		14.52		14.52		14.52	200

The rated load is the value not greater than 78% of the tipping load when the machine is placed on firm, level ground and forward stability is 1.5 or above.

By subtracting the weight of the slinging equipment, such as the hook (90Kg for a 4.9 ton capacity), from the values shown in the table, the actual maximum load can be determined.