

Offering the best balance of power and design

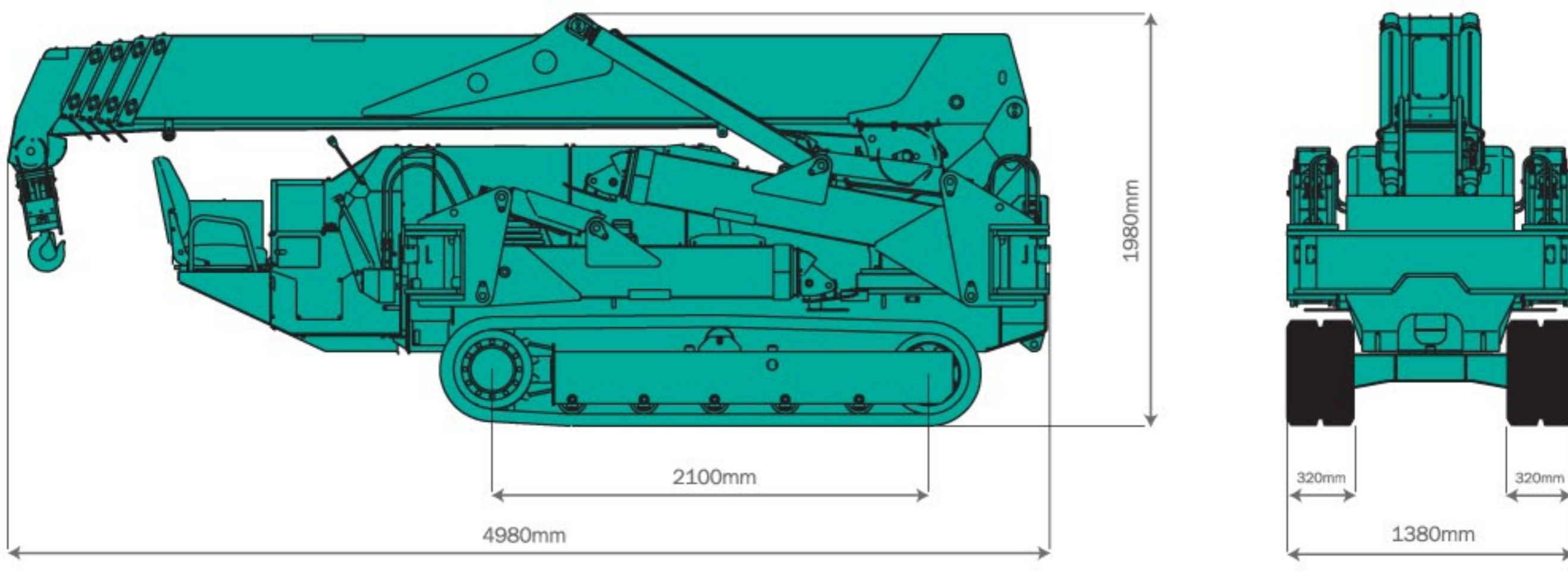


- Pick & Carry Duty (300kg maximum)
- Two Travel Speeds
- Programmable Moment Limiter
- 1130kg at 5.0m radius on 16.43m boom
- Rubber Tracks
- Hydrostatic Transmission
- Centralised Controls
- 4 Fall / 2 Fall Hook Block
- Automatic Hook Stowage System
- Tilt Sensor/Alarm
- Powerful Winch with Hydraulic Disc Brake
- Two Speed Winch
- Fully Automatic Pentagonal Section Boom
- Cable Remote Controller

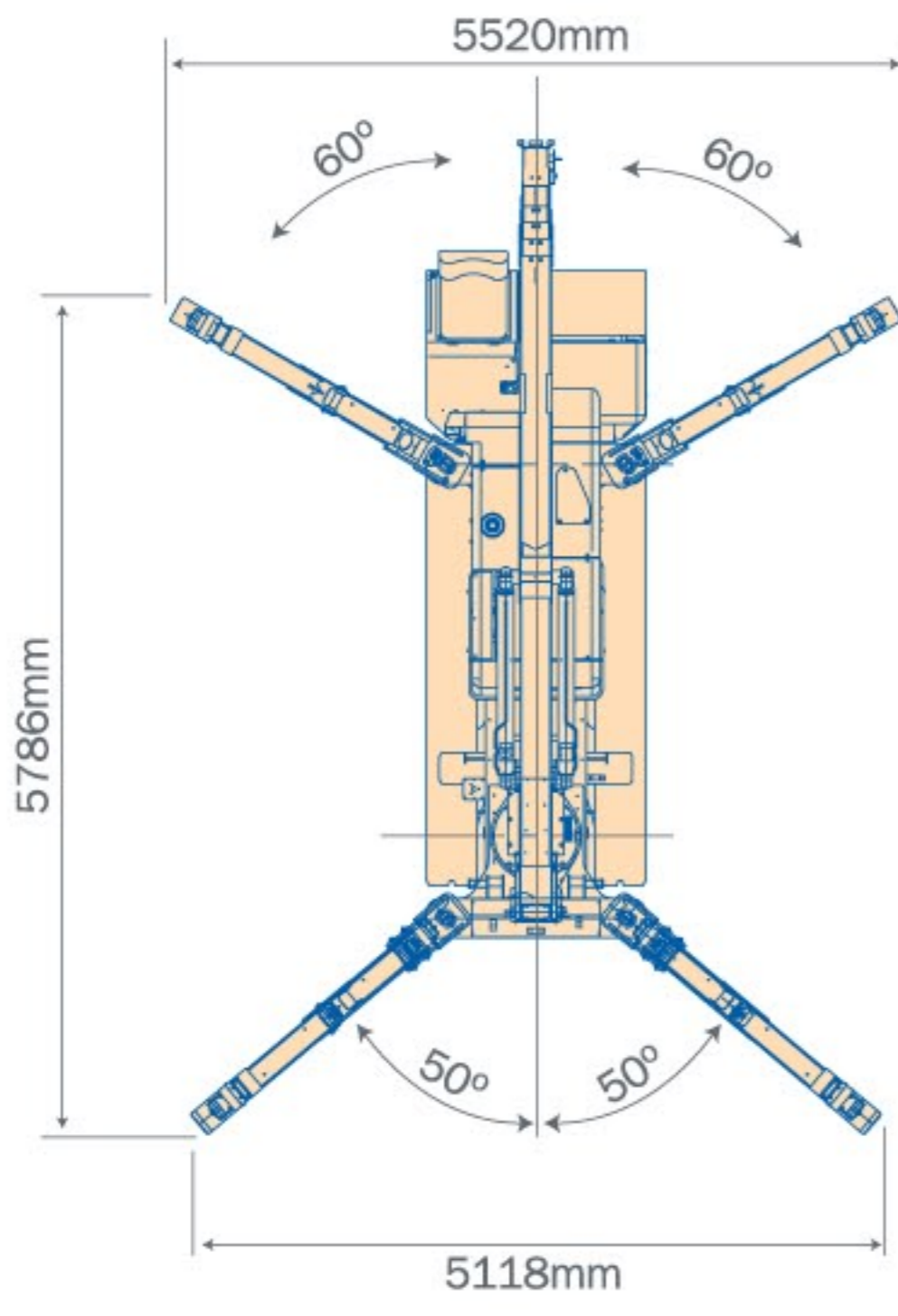
Specification	
Model	MC405CRM(E)
Crane capacity	3.83t x 2.7m
Max. working radius	16m
Max. lifting height	16.8m
Hook speed	10m / min. (18.0m / min.) (4 falls, 4th layer)
Single line speed	40m / min. (72.0m / min.) (4th layer)
Hoist rope	IWRC 6 x WS(26) 8mm x 95m
Telescopic system	Boom length 4.735m - 16.475m Telescoping speed 11.7m / 54.2 sec (41.3sec) Fully automatic 5 section pentagonal telescopic boom
Boom hoist system	Hoist angle / speed 0° - 80° / 24.5 sec (17.0 sec)
Slew system	Slew angle / speed 360° / 2.1 rpm (2.5 rpm)
Outrigger system	Type Extension and set up by direct acting hydraulic cylinders Maximum extended dimensions (Length) 5786mm x (Front) 5118mm x (Rear) 5520mm
Traction system	Drive Hydraulic motor driven, stepless speed changer Travel speed 0 - 3.3 km/h Gradability 20° Crawler length x width 2100mm x 320mm Ground pressure 49.0 (0.50) kpa (kgf/cm <sup>2</sup> )
Engine	Model Yanmar 3TNV88-PMB Type 3 cylinder water cooled diesel Rated output 21.8kw/2400min-1 (29.6PS/2400rpm) Starting method Electric Fuel / Fuel tank capacity Diesel/60L
Electric Motor MC405CRME	Type Totally enclosed fan-cooled motor Size 7.5kw, 4P 380V
Remote control system	Type Cable remote controller, micro-speed mode, load display for transmitter, outrigger operation
Dimensions	Length x Width x Height 4980mm x 1380mm x 1980mm Weight MC405CRM 5600kg Weight MC405CRME 5750kg
Standard equipment	Overwind protection, load indicator, hydraulic safety valve, wire rope latch, level, machine body inclination alarm, EMO switch, travel lock lever, outrigger interlock device, moment limiter, rotary lamp, 4-fall / 2-fall hook block.
Optional equipment	Radio remote control, white rubber tracks, single fall hook, searcher hook, fly-jib.

## Maeda MC405CRM(E) Dimensions

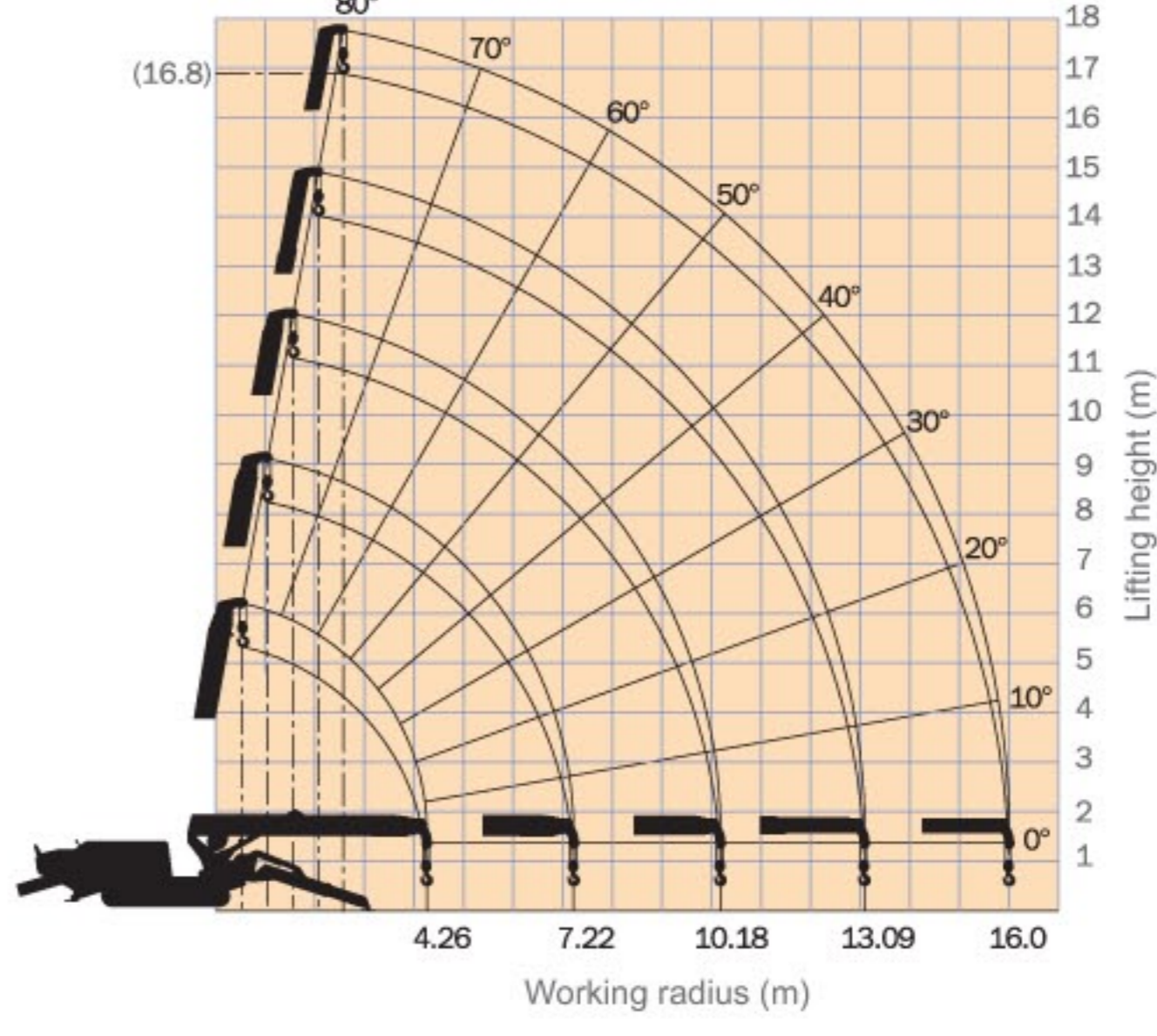
### Overall Size



### Outrigger Spread Dimensions



### Working Range Chart



The Working Range Chart does not take into account boom deflection under load.

The maximum reach below ground level is:

Four Fall	Two Fall	Single Fall
20.50m	41.00m	82.00m



## Maeda MC405CRM(E) Load Charts

### Total rated load (4 falls) Outriggers at Maximum position

4.735m/7.695m boom		10.655m boom		13.565m boom		16.475m boom	
Working radius (m)	Total rated load (kg)	Working radius (m)	Total rated load (kg)	Working radius (m)	Total rated load (kg)	Working radius (m)	Total rated load (kg)
< 2.7	3830	3.5	3030	4.0	2230	5.0	1130
3.5	3030	4.0	2580	4.5	1930	5.5	980
4.0	2580	5.0	2030	5.0	1730	6.0	910
5.0	2030	6.0	1680	6.0	1400	7.0	760
6.0	1680	7.0	1380	7.0	1180	8.0	650
7.0	1380	8.0	1130	8.0	1030	9.0	600
7.25	1330	9.0	880	9.0	930	10.0	550
		10.2	580	10.0	830	11.0	490
				11.0	690	12.0	440
				12.0	530	13.0	380
				13.1	430	14.0	320
						15.0	260
						16.0	210

### Total rated load (4 falls) Outriggers at Intermediate position

4.735m/7.695m boom		10.655m boom		13.565m boom		16.475m boom	
Working radius (m)	Total rated load (kg)	Working radius (m)	Total rated load (kg)	Working radius (m)	Total rated load (kg)	Working radius (m)	Total rated load (kg)
< 2.7	3830	3.5	3030	4.0	2230	5.0	1130
3.5	3030	4.0	2580	4.5	1830	5.5	980
4.0	2580	5.0	1880	5.0	1630	6.0	910
5.0	1880	6.0	1430	6.0	1330	7.0	730
6.0	1430	7.0	1130	7.0	1080	8.0	630
7.0	1130	8.0	880	8.0	880	9.0	550
7.25	1120	9.0	740	9.0	730	10.0	480
		10.2	490	10.0	530	11.0	430
				11.0	480	12.0	380
				12.0	430	13.0	330
				13.1	330	14.0	280
						15.0	220
						16.0	180

### Total rated load (4 falls) Outriggers at Minimum position

4.735m/7.695m boom		10.655m boom		13.565m boom		16.475m boom	
Working radius (m)	Total rated load (kg)	Working radius (m)	Total rated load (kg)	Working radius (m)	Total rated load (kg)	Working radius (m)	Total rated load (kg)
< 2.7	3830	3.5	3030	4.0	2230	5.0	1130
3.5	3030	4.0	2580	4.5	1830	5.5	980
4.0	2580	5.0	1680	5.0	1630	6.0	880
5.0	1680	6.0	1180	6.0	1180	7.0	730
6.0	1180	7.0	880	7.0	830	8.0	530
7.0	930	8.0	730	8.0	680	9.0	450
7.25	780	9.0	580	9.0	550	10.0	420
		10.2	400	10.0	430	11.0	370
				11.0	380	12.0	330
				12.0	350	13.0	280
				13.1	310	14.0	240
						15.0	190
						16.0	150



The Total Rated Load Charts are based on the actual working weight including boom deflection. The weight of the hook (standard 4 fall - 30kg) must be included as part of the load shown in the Total Rated Load Charts.

When using two fall or single fall hooks, use the appropriate four fall Total Rated Load Chart above but with a **maximum load of:** Two Fall - 1930kg, Single Fall - 970kg.

